


Name of supplier	KW-Commerce GmbH
Address of supplier	Jägerstr. 41 10117 Berlin Deutschland
Model Identifier and other applicable models below	49031.01
49031.01	 29 October 2021 Katharina Zelisko Business Unit Director

Specific precautions that shall be taken when the model is assembled, installed, maintained or tested

See user manual

Disposal recommendations at the end of the light source's life time (Directive 2012/19/EU)

Translations and national adaptations are included in the user manual of the item, supplied with the light source or its containing product.

The Waste Electrical and Electronic Equipment (WEEE) Directive aims to minimise the impact of electrical and electronic goods on the environment, by increasing re-use and recycling and by reducing the amount of WEEE going to landfill. The symbol on this product or its packaging signifies that this product must be disposed separately from ordinary household wastes at its end of life. Be aware that this is your responsibility to dispose of electronic equipment at recycling centers in order to conserve natural resources. Each country should have its collection centers for electrical and electronic equipment recycling.

For information about your recycling drop off area, please contact your related electrical and electronic equipment waste management authority, your local city office, or your household waste disposal service.

Contained Light Source(s)	Pieces
49031.01_LS	3

Contained Separate Control Gear(s)	Pieces
49031.01_SCG	1

Light Sources can be replaced by end-user or qualified persons?

Non-replaceable

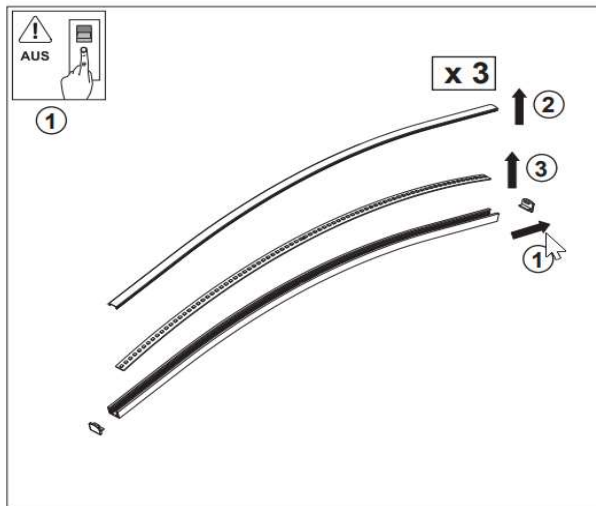
Separate Control Gears can be replaced by end-user or qualified persons?

Professionally replaceable

Instructions on how to remove lighting control parts and/or non-lighting parts, if any, or how to switch them off or minimise their power consumption during light source testing

This product is a legacy product. It was not designed to offer user replaceability of parts or components. The separate control gear can be replaced by a professional electrician. Ensure that circuit breakers are disconnected before installing or uninstalling the containing product and follow the user manual of the containing product.

Explosionsdarstellung



Sie brauchen:

